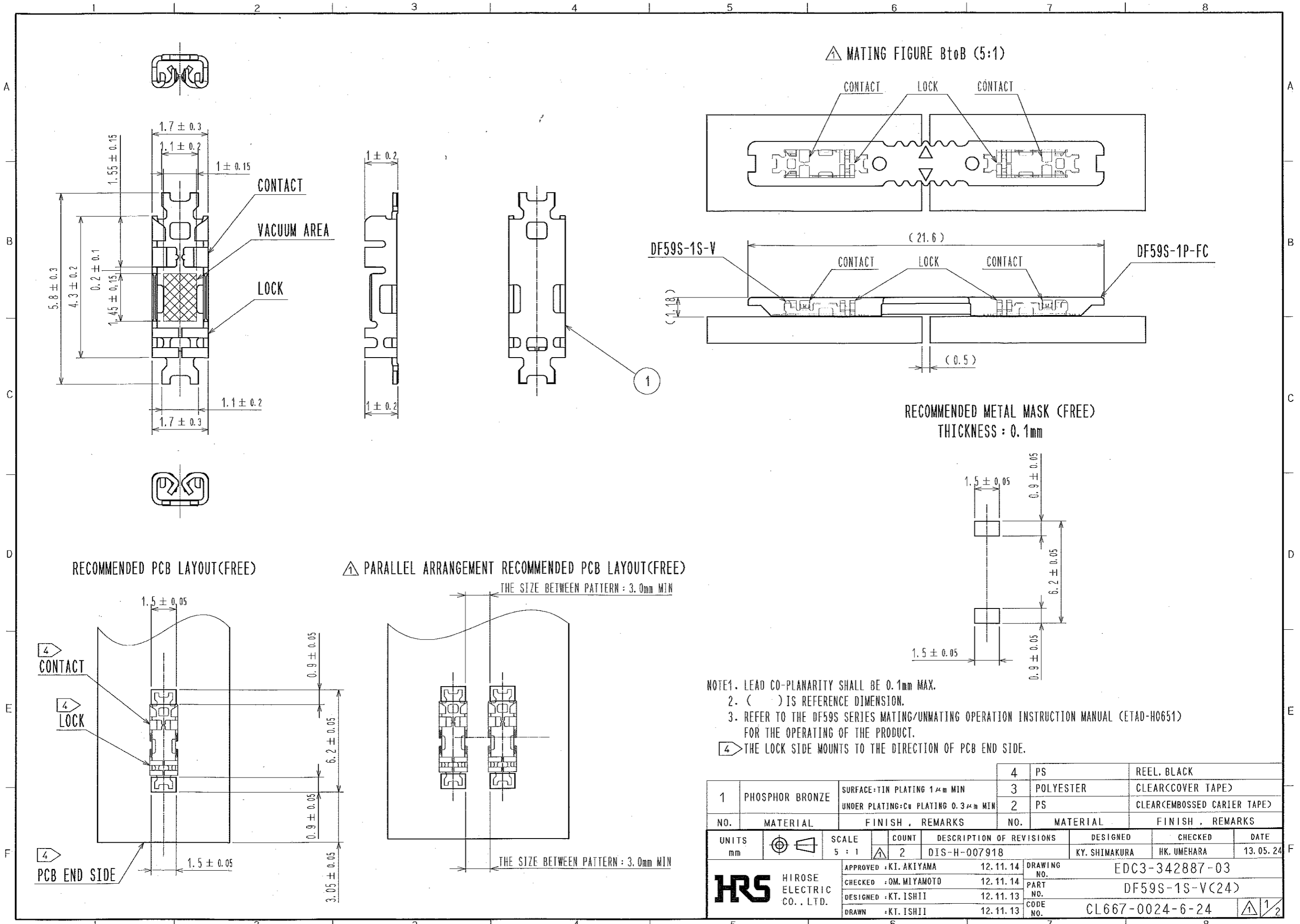
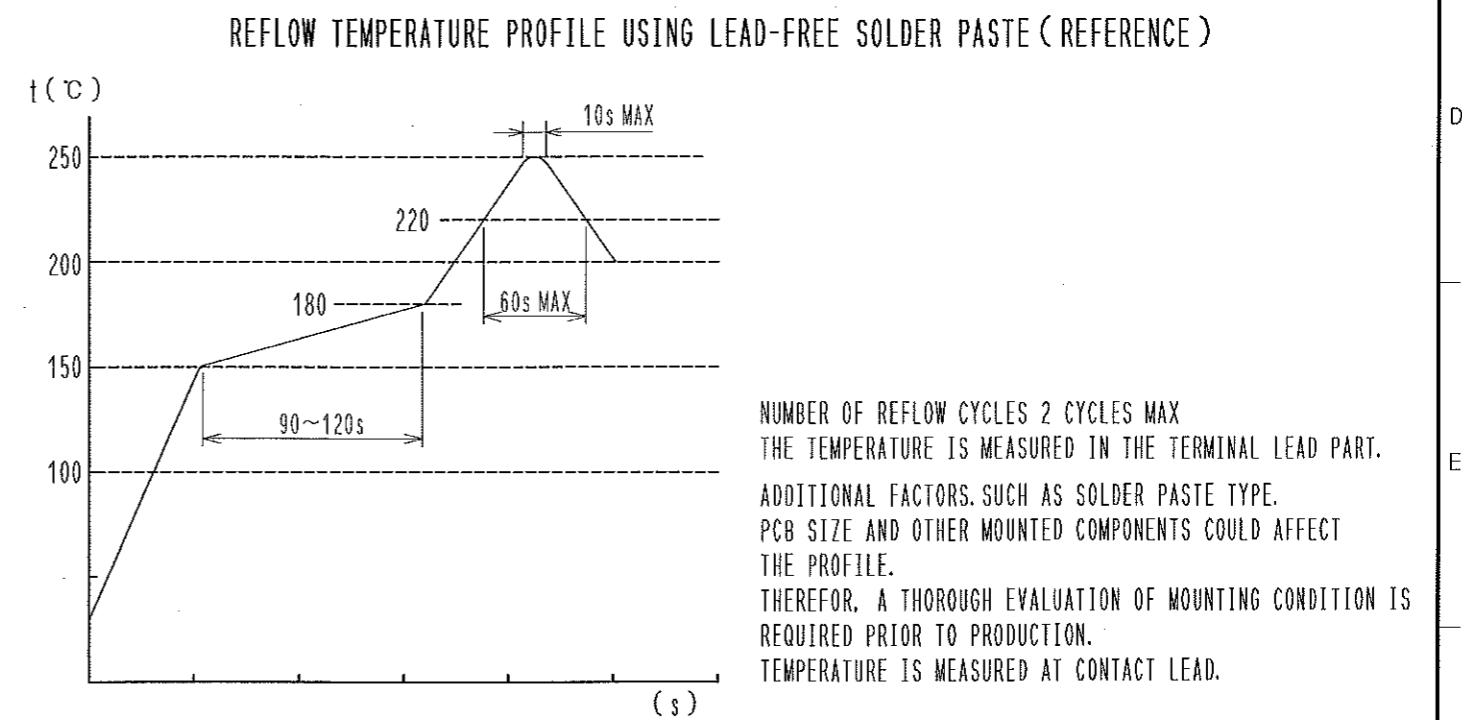
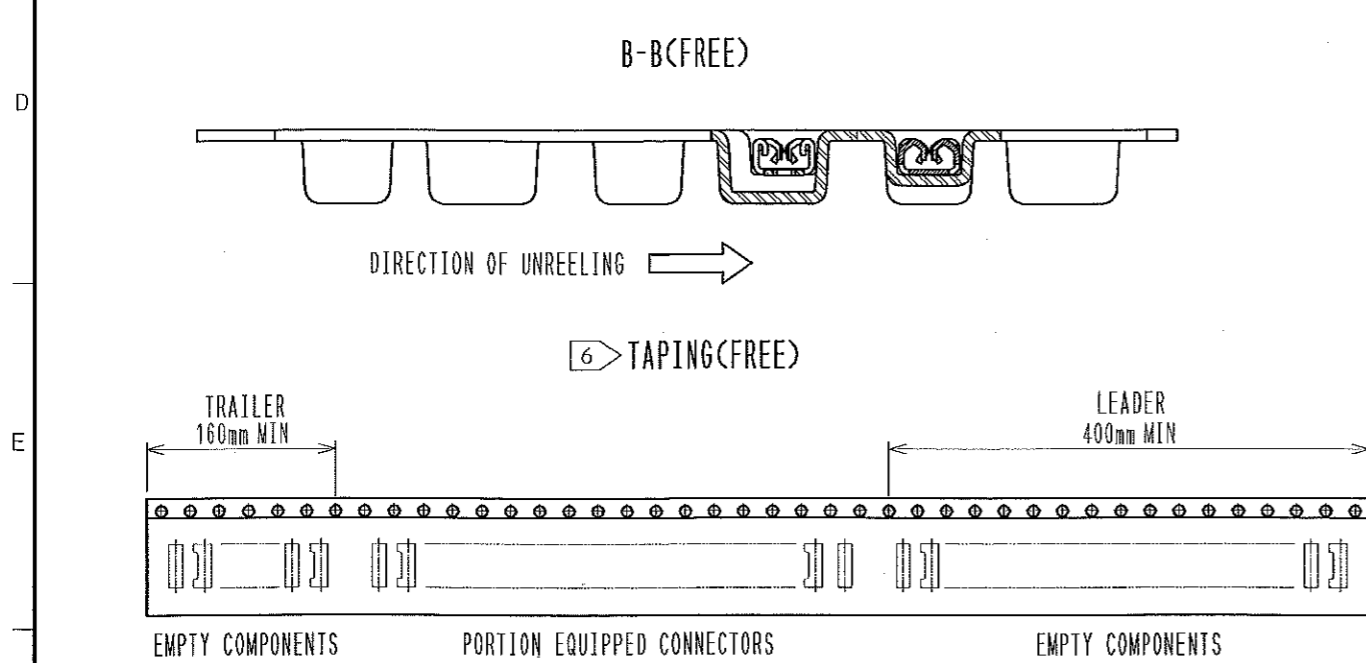
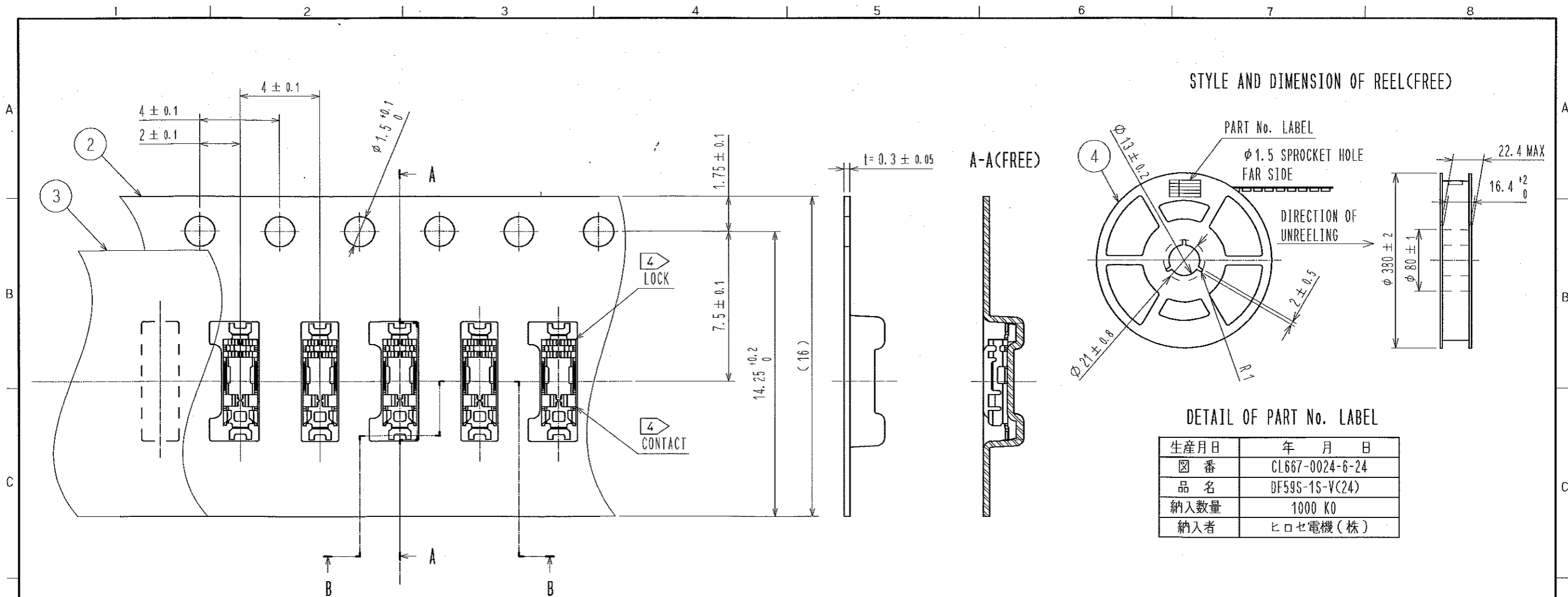


APPLICABLE STANDARD						
RATING	OPERATING TEMPERATURE RANGE	-35 °C TO +105°C (NOTE1)	STORAGE TEMPERATURE RANGE	-10 °C TO +60°C (NOTE3)		
	OPERATING HUMIDITY RANGE	20% TO 80% (NOTE2)	STORAGE HUMIDITY RANGE	40% TO 70% (NOTE3)		
	APPLICABLE CONNECTOR	DF59S-1P-FC DF59S-1P-C	CURRENT	3A		
			VOLTAGE	SPECIFICATION	AC/DC 350V (NOTE4)	
UL/C-UL				TBD		
			TÜV	TBD		
SPECIFICATIONS						
ITEM	TEST METHOD	REQUIREMENTS	QT	AT		
<b>CONSTRUCTION</b>						
GENERAL EXAMINATION	VISUALLY AND BY MEASURING INSTRUMENT.	ACCORDING TO DRAWING.	X	X		
MARKING	CONFIRMED VISUALLY.		X	X		
<b>ELECTRIC CHARACTERISTICS</b>						
CONTACT RESISTANCE	DC6V MAX, 100mA.	50mΩ MAX.	X	-		
<b>MECHANICAL CHARACTERISTICS</b>						
MECHANICAL OPERATION	10TIMES INSERTION AND EXTRACTION.	①50mΩ MAX. ②NO DAMAGE, CRACK OR LOOSENESS OF PARTS.	X	-		
VIBRATION	FREQUENCY 10 TO 55Hz, SINGLE AMPLITUDE 0.75mm, AT 10CYCLES FOR 3DIRECTION.	①NO ELECTRICAL DISCONTINUITY OF 1 μs. ②NO DAMAGE, CRACK OR LOOSENESS OF PARTS.	X	-		
SHOCK	490 m/s <sup>2</sup> DURATION OF PULSE 11 ms AT 3 TIMES FOR 3 DIRECTIONS.		X	-		
<b>ENVIRONMENTAL CHARACTERISTICS</b>						
DAMP HEAT (STEADY STATE)	EXPOSED AT 40 ± 2°C , 90 TO 95 % , 96 h. (AFTER LEAVING THE ROOM TEMPERATURE FOR 1~2h.)	①50mΩ MAX. ②NO DAMAGE, CRACK OR LOOSENESS OF PARTS.	X	-		
RAPID CHANGE OF TEMPERATURE	TEMPERATURE -55°C→ +85°C TIME 30min→ 30min UNDER 5 CYCLES. (THE TRANSFERRING TIME OF THE TANK IS 2~3 min) (AFTER LEAVING THE ROOM TEMPERATURE FOR 1~2h.)		X	-		
RESISTANCE TO SOLDERING HEAT	1) REFLOW SOLDERING NUMBER OF REFLOW CYCLES : 2CYCLES MAX. «REFLOW AREA» DURATION ABOVE 220°C, 60sec. MAX. PEAK TEMPERATURE: 250°C, 10sec. MAX. «PRE-HEAT AREA» PRE-HEAT TEMPERATURE:150°C TO 180°C PRE-HEAT TIME:90sec. TO 120sec. 2) MANUAL SOLDERING SOLDERING IRON TEMPERATURE :350±10°C, SOLDERING TIME : 3sec. NO STRENGTH ON CONTACT.	NO DEFORMATION OF CASE OF EXCESSIVE LOOSENESS OF THE TERMINALS.	X	-		
SOLDERABILITY	SOLDERING TEMPERATURE : 245°C DURATION OF IMMERSION :SOLDERING, FOR 5sec.	NEW UNIFORM COATING OF SOLDER SHALL COVER MINIMUM OF 95% OF THE SURFACE BEING IMMERSED.	X	-		
NOTE 1: INCLUDE THE TEMPERATURE RISING BY CURRENT.						
NOTE2:NO CONDENSING						
NOTE3:APPLY TO THE CONDITION OF LONG TERM STORAGE FOR UNUSED PRODUCTS BEFOR PCB ON BOARD, AFTER PCB BOARD , OPERATING TEMPERATURE AND HUMIDITY RANGE IS APPLIED FOR INTERIM STRAGE DURING TRANSPORTATION.						
NOTE4:APPLY TO THE CONDITION OF PARALLEL ARRANGEMENT THE SIZE BETWEEN PATTERN:3.0mm MIN FOR THE VOLTAGE.						
	COUNT	DESCRIPTION OF REVISIONS	DESIGNED	CHECKED	DATE	
REMARKS			APPROVED	KI. AKIYAMA	12. 11. 14	
			CHECKED	OM. MIYAMOTO	12. 11. 14	
			DESIGNED	KT. ISHII	12. 11. 13	
			DRAWN	KT. ISHII	12. 11. 13	
Unless otherwise specified, refer to JIS C 5402 and IEC60512.			DRAWING NO.		ELC4-342887-03	
Note QT:Qualification Test AT:Assurance Test X:Applicable Test			DRAWING NO.		ELC4-342887-03	
<b>HRS</b>	SPECIFICATION SHEET		PART NO.	DF59S-1S-V (24)		
	HIROSE ELECTRIC CO., LTD.		CODE NO.	CL667-0024-6-24		△ 1/1



NOTE 1. LEAD CO-PLANARITY SHALL BE 0.1mm MAX.  
 NOTE 2. ( ) IS REFERENCE DIMENSION.  
 NOTE 3. REFER TO THE DF59S SERIES MATING/UNMATING OPERATION INSTRUCTION MANUAL (ETAD-H0651) FOR THE OPERATING OF THE PRODUCT.  
 NOTE 4. THE LOCK SIDE MOUNTS TO THE DIRECTION OF PCB END SIDE.

1	PHOSPHOR BRONZE	SURFACE:TIN PLATING 1μm MIN UNDER PLATING:Cu PLATING 0.3μm MIN	4	PS	REEL, BLACK
			3	POLYESTER	CLEAR(COVER TAPE)
			2	PS	CLEAR(EMBOSSED CARRIER TAPE)
NO.	MATERIAL	FINISH, REMARKS	NO.	MATERIAL	FINISH, REMARKS
UNITS	mm	SCALE 5:1	COUNT 2	DESCRIPTION OF REVISIONS	
				DESIGNED	CHECKED
				DATE	
				DIS-H-007918	
				KY. SHIMAKURA	HK. UMEHARA
				13.05.24	
APPROVED: KI. AKIYAMA		12.11.14		DRAWING NO. EDC3-342887-03	
CHECKED: OM. MIYAMOTO		12.11.14		PART NO. DF59S-1S-V(24)	
DESIGNED: KT. ISHII		12.11.13		CODE NO. CL667-0024-6-24	
DRAWN: KT. ISHII		12.11.13			



NOTE5. 1REEL:1000 CONNECTORS.  
 6 REEL TO JIS C 0806. (PACKAGING OF COMPONENTS FOR AUTOMATING HANDLING).  
 7. THE DIMENSIONS IN PARENTHESES ARE FOR REFERENCE.

<b>HRS</b>	DRAWING NO.	EDC3-342887-03
	PART NO.	DF59S-1S-V(24)
	CODE NO.	CL667-0024-6-24
		1/2